

# PORTABLE MAGNETOMETER SYSTEM MAGWALK



## Features

- Autarkic system with 2 sensors, GPS, accelerometer and battery
- 1,600g carrying weight
- 8GB internal memory card
- 250 Hz recording rate
- 2 Hz live data output
- USB interface
- Data processing tool

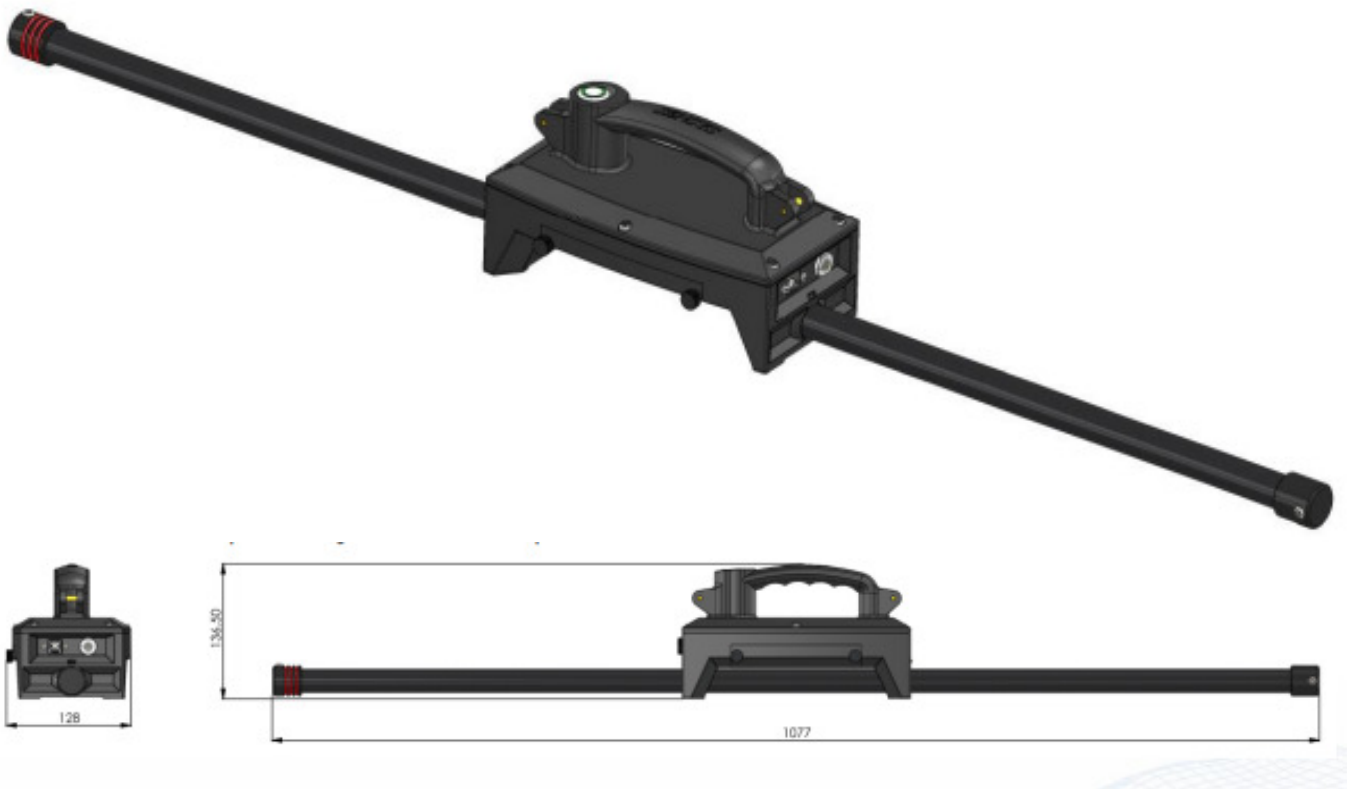
## PORTABLE MAGNETOMETER SYSTEM MAGWALK

The MagWalk is an ultra lightweight portable magnetometer survey kit to be carried by one person by holding it transversely, longitudinal or upright aside the body.

The kit consists of a two built-in 3-axis fluxgates, a 1-button data logger with internal SD card, rechargeable batteries, an integrated or external GPS, as well as a serial live data output. The MagWalk device is made for small and mid size field surveys.

Combining the MagWalk with the SENSYS Remote Smartphone App allows 2 Hz live readings of all single axes of the sensors as well showing absolute values and graphs for insitu trials / investigations.

The MagDrone DataTool can be used to download and convert the raw data into various formats to make a follow up processing with SENSYS MAGNETO, MATLAB, GIS or other software as easy as possible.



### TECHNICAL DATA

#### General Technical Data

Power Supply : 11.1 V; 1,950 mAh Li-Ion rechargeable  
 Operating Temperature : -20°C to +50°C  
 Weight / with Li-Ion battery : 1,470g / 1,600g  
 Overall power consumption : 500 mA  
 Sensor tube dimensions (W x D x H) : 1,070 x 24 mm

#### FGM3D/100 Fluxgate

Sensors : 2 pieces, laid horizontal, parallel  
 Specified measurement range :  $\pm 100,000$  nT  
 Number of sensor axis : 3  
 Distance between sensor centre points : 1,000 mm  
 Noise level : @1Hz [pT/ (Hz)] :  
 10 pT < sensor M1 < 50 pT  
 10 pT < sensor M2 < 30 pT

#### Datalogger

Power : 50 mA  
 Sensor input : Internal wired  
 User Interface : On/Off + Start/Stop button; status LED  
 Survey mode : Recording when start/stop pressed  
 Sampling rate : 250 Hz (500Hz/1000Hz available on request)  
 Live data output : 2 Hz (via Bluetooth 3.1)  
 Internal memory : 8 GB  
 Datalogger dimensions : 230 x 128 x 43/73 mm  
 External GPS input via serial cable